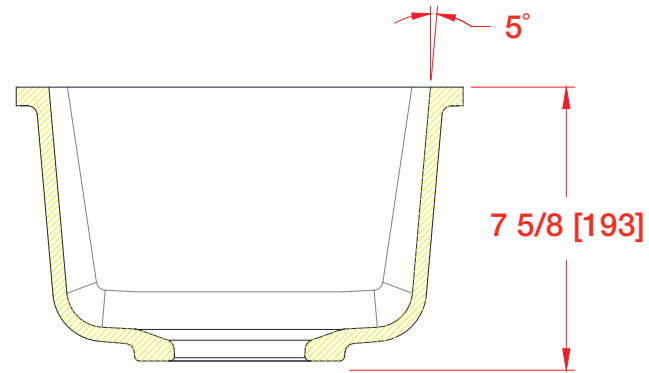
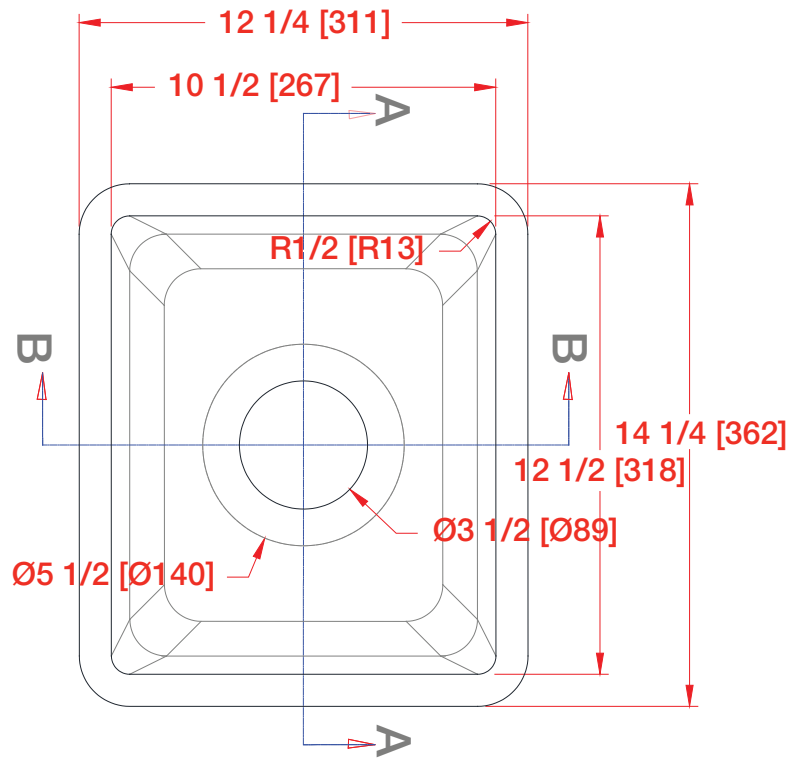
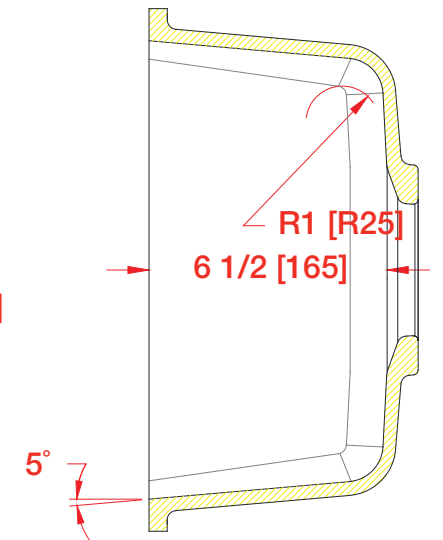




# SINGLE BOWL 1012



SECTION A-A



SECTION B-B

# Everform™

SOLID SURFACE *by* FORMICA GROUP

